

Single Completion Tubing Hangers and Adapters for Offshore Installations

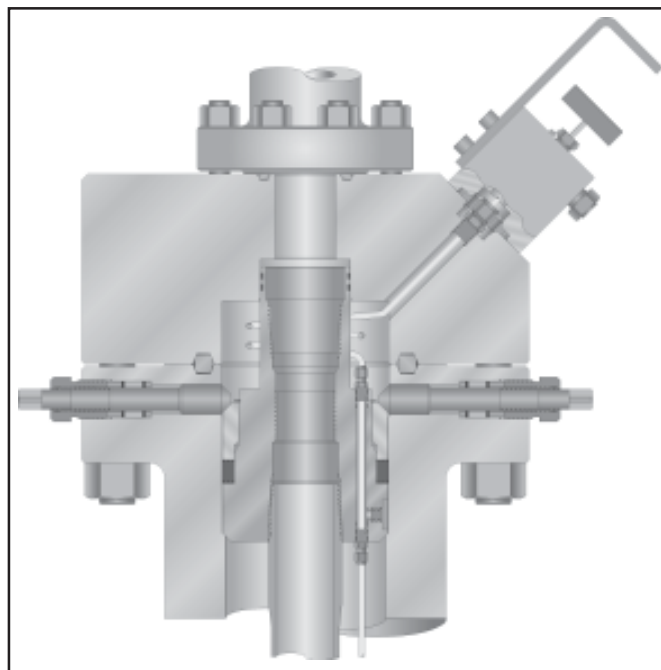
SM-E-CL Tubing Hangers

The SM-E-CL tubing hanger provides a continuous control line setting using elastomer seals in the both hanger bowl and hanger neck.

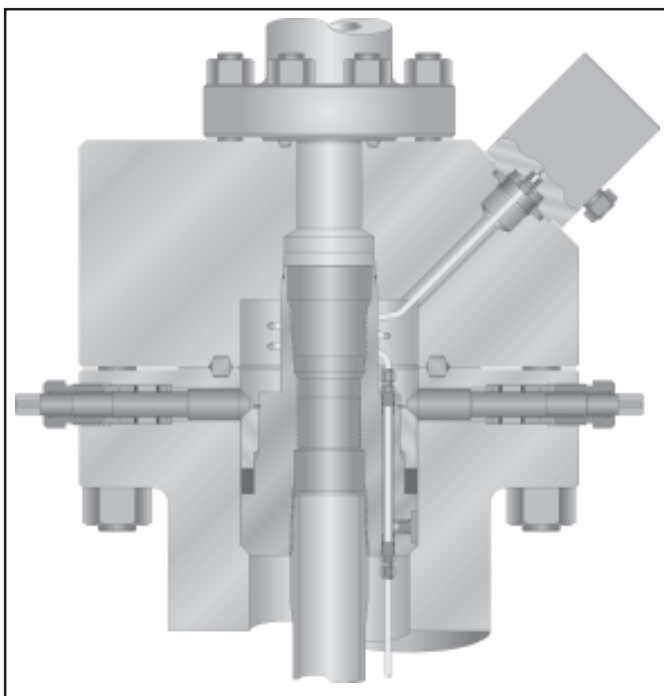
The tubing hanger consists of a main body, an elastomer seal and a compression ring. During installation, the hanger is landed and the lockscrews run in to retain the hanger and energize the annulus seal. The neck of the tubing hanger uses S seals to seal against the straight bore of the adapter.

The continuous control line is supported and sealed above and below the hanger with common ferrule-type fittings. The control line exits through the adapter and is sealed off in a specially designed exit block (shown) or nipple/tapped bull plug arrangement.

An internal profile is provided for setting a back pressure valve.



SM-E-CL Tubing Hanger



SM-T-CL Tubing Hanger

SM-T-CL Tubing Hangers

The SM-T-CL tubing hanger provides a continuous control line setting while using metal seals in the hanger neck to isolate the production flow. Metal seals are far superior to elastomers making this hanger suitable for more critical service applications.

The tubing hanger consists of a main body, an elastomer seal and a compression ring. During installation, the hanger is landed and the lockscrews run in to retain the hanger and energize the annulus seal. The metal seal on the hanger neck is energized by making up the adapter. The taper on the ID of the adapter slightly opposes the OD of the tubing hanger neck, causing the neck to deform slightly. This deformation is safely within the elastic limits of the yield strength of the hanger material, permitting the connection to be broken and remade repeatedly without damaging the sealing surfaces.

The continuous control line is supported and sealed above and below the hanger with common ferrule-type fittings. The control line exits through the adapter and is sealed off in a specially designed exit block.

An internal profile is provided for setting a back pressure valve.